

## AI pedestrian detect camera



Use sony 307 chipset color CMOS to capture moving images

Support coaxial high-definition output, the image is clear and delicate

Support digital wide dynamic range

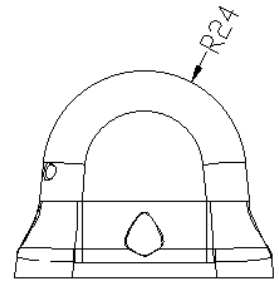
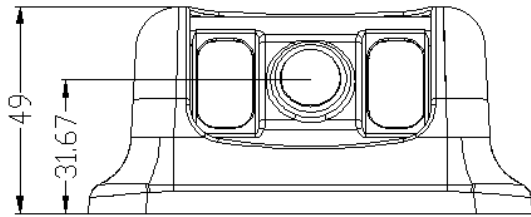
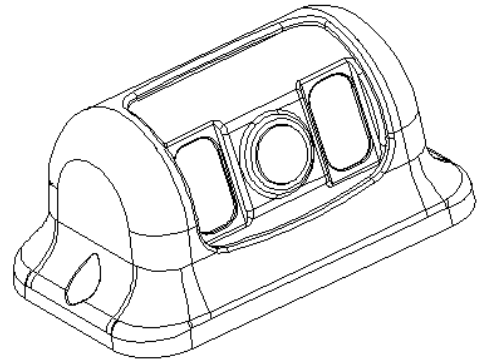
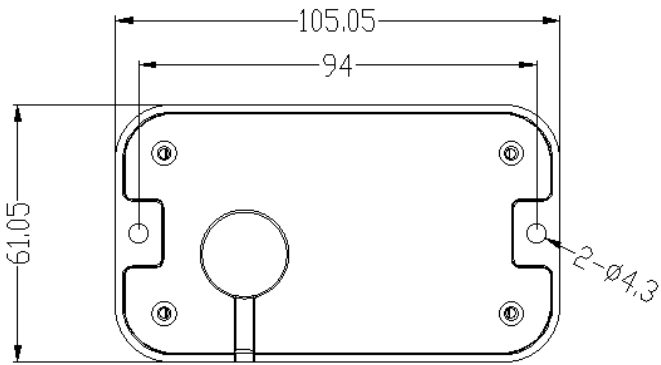
Adaptive digital noise reduction

Support UTC function

It is made of all-aluminum alloy water-proof material and anti-demolition design.

Beautiful appearance, convenient and simple installation, suitable for outdoor installation of various dangerous vehicles.

NO.	JPC-163AI 720p	
Camera parameter	sensor	1/3" color CMOS
	chipset	sony
	View angle	f2.0mm Megapixel 145degree
	pixel	1280 (H) x 720 (V)
	Mini Illumination	0.1Lux/ F1.2
	Shutter speed	1/50S-1/100000S
	IR distance	15M
	IR-Cut	auto
	Lens	2.0 mm
picture	pixel	1280 (H) x 720 (V)
	Video out	AHD
other	Temperature& humidity	-20°C~+70°C 0% - 90%
	power	12V (8v-15v) (IR start) <2.5w
	IP	IP69K
	Video interface	1.0Vp-p video out, 75Ω, 4pin aviation cable 1:red 12V+, 2: black 12V-, 3: /, 4: yellow video signal



- 1---12VDC (+)
- 2---12VDC/GND (-)
- 3---Audio or N/A
- 4---Video