
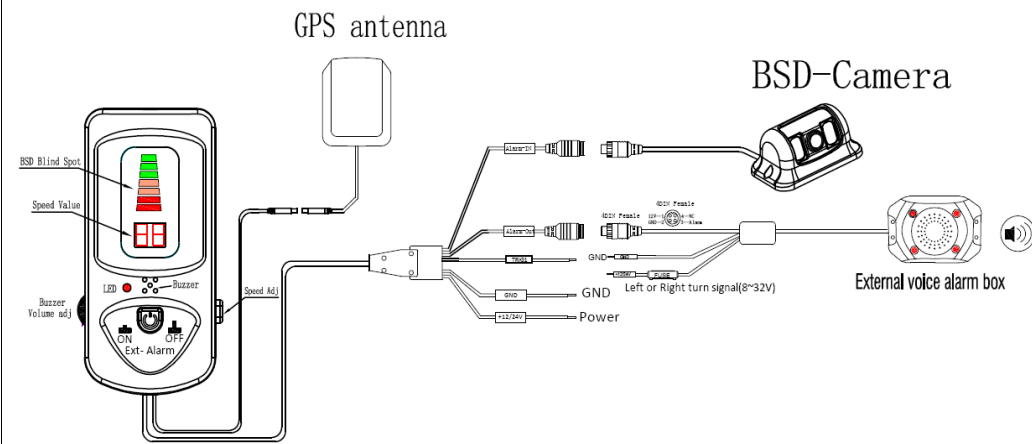


## LED Sound and Light Alarm Box

### 1. Specification Parameters

	MODEL	ALM
	BSD Color Display	Red/yellow/green
	GPS Speed Threshold Display	2 digit LED digital tube display
	Alarm Voice	Buzzer
	Alarm IN	AI Camera signal input
	Alarm OUT	External voice alarm output
	GPS Speed Alarm Threshold Setting	GPS 0~35KM/H
	Buzzer Frequency (Hz)	2500±300
	Power	DC +9~32V
	Current	Max 50mA
	Ext Alarm Switch	ON/ OFF
	Operation Temperature	- 20 ~ 70 °C
	Storage Temperature	- 30 ~ 80 °C
	Outline Dimension	116mm*54mm*28mm

### 2. Wiring Diagram



### 3. Function definition



1. LED red/yellow/green corresponds to BSD blind zone color display
2. GPS speed preset threshold display
3. Buzzer
4. Speed adjustment button
5. External Voice Alarm Box ON/OFF switch
6. Buzzer volume adjustment

### 4. Dimension

